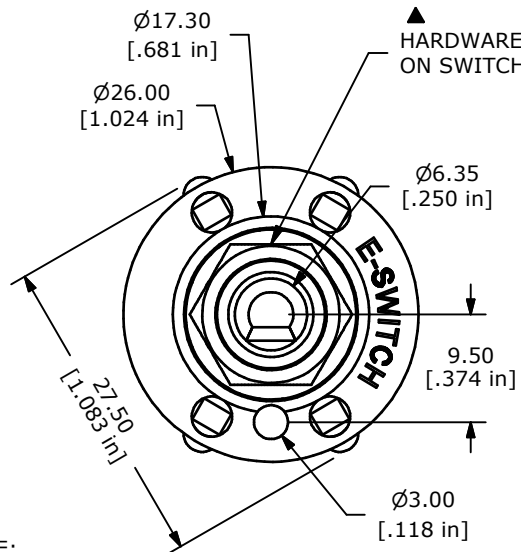
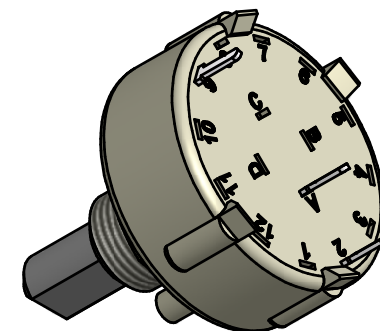
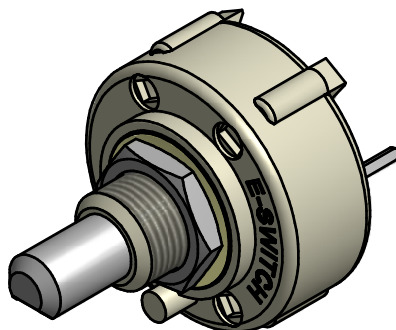
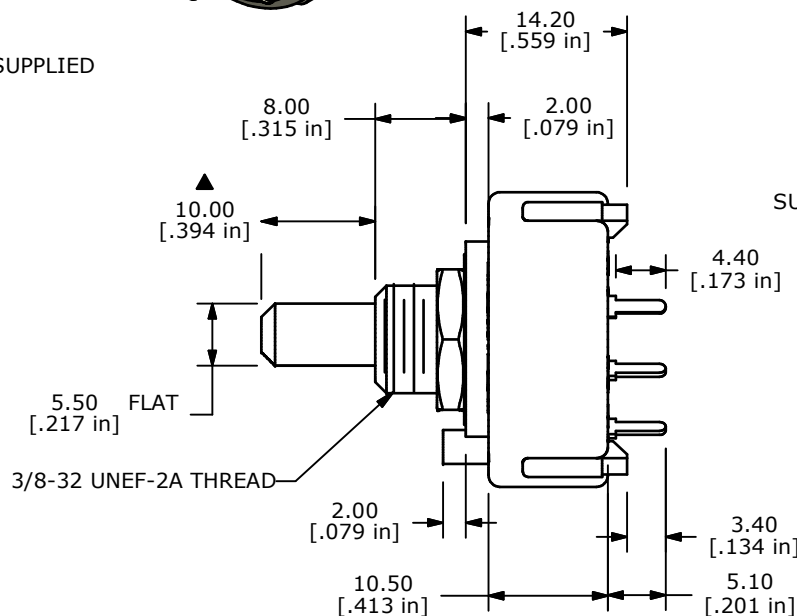




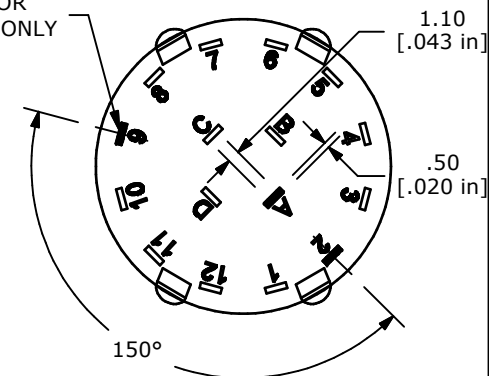
CONTACT CONFIGURATION
TIMING (BBM) NON-SHORTING



▲ HARDWARE SUPPLIED ON SWITCH

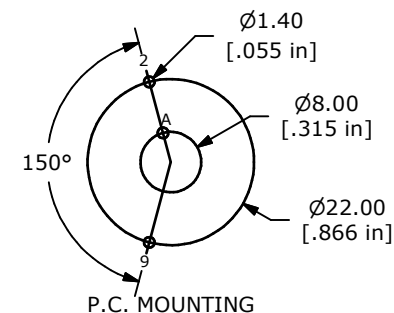


PIN 9 FOR SUPPORT ONLY



NOTE:

1. ALL DIMENSIONS IN MM[INCH].
2. GENERAL TOLERANCE: X.X=±0.4
X.XX=±0.25
3. TERM. NOS. FOR REFERENCE ONLY.
- ▲ 4. CONTACT MATERIAL: GOLD
5. CONTACT RATING: 0.3A @ 125VAC
6. OPERATING TORQUE 0.5 ± 0.2 Kg-cm
7. OPERATING TEMP: -30°C TO 85°C
- ▲ 8. CIRCUIT SP: 2 POSITION 30° INDEX.
9. DIELECTRIC STRENGTH: 500 VAC FOR 1 MIN.
- ▲ 10. HARDWARE SUPPLIED ON SWITCH:
LOCKWASHER, HEXNUT, STOP RING
11. ▲ DENOTES CRITICAL PARAMETER.
12. 2002/95/EC (ROHS) COMPLIANT.
13. INSULATION RESISTANCE: 100 MΩ MIN.
14. CONTACT RESISTANCE: 50mΩ MAX.



TITLE KC11A10.001NPF

A	20951	RELEASED FOR PRODUCTION	1/3/13	EBP
REV	PCR NO	DESCRIPTION	DATE	BY

THE INFORMATION CONTAINED IN THIS DOCUMENT IS PROPRIETARY TO E-SWITCH AND IS NOT TO BE COPIED OR TRANSFERRED

SCALE	DATE	DR	DWG	REV
	1/3/2013	EBP	G527574	A